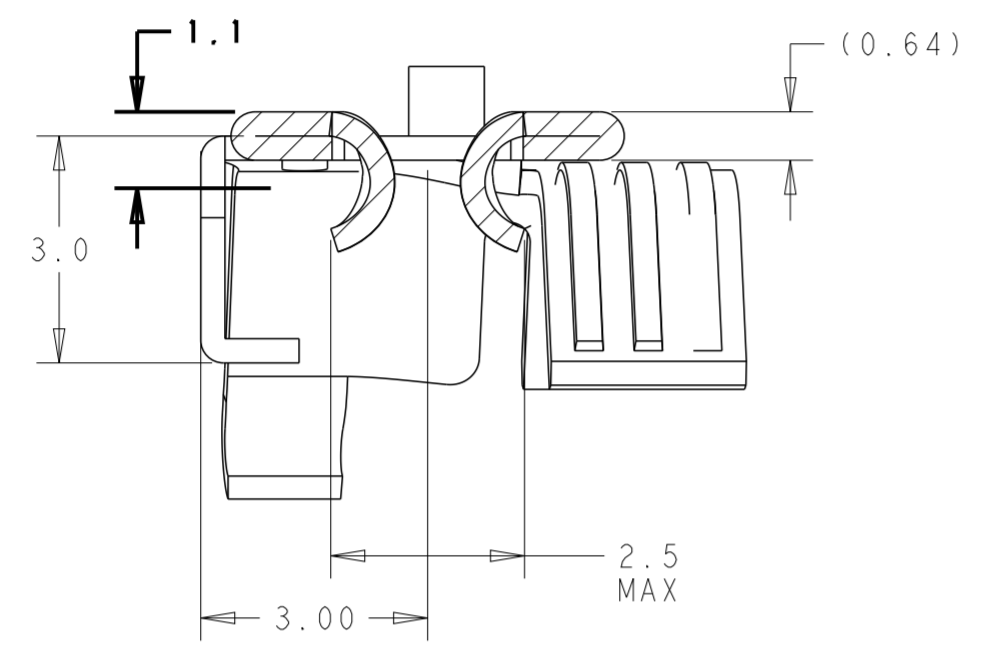


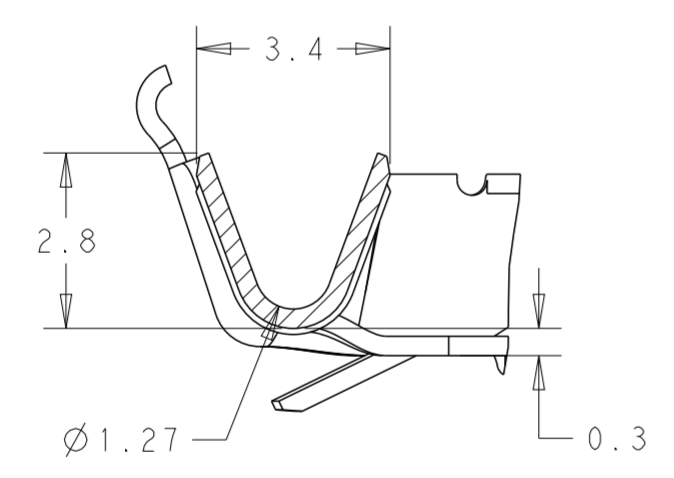
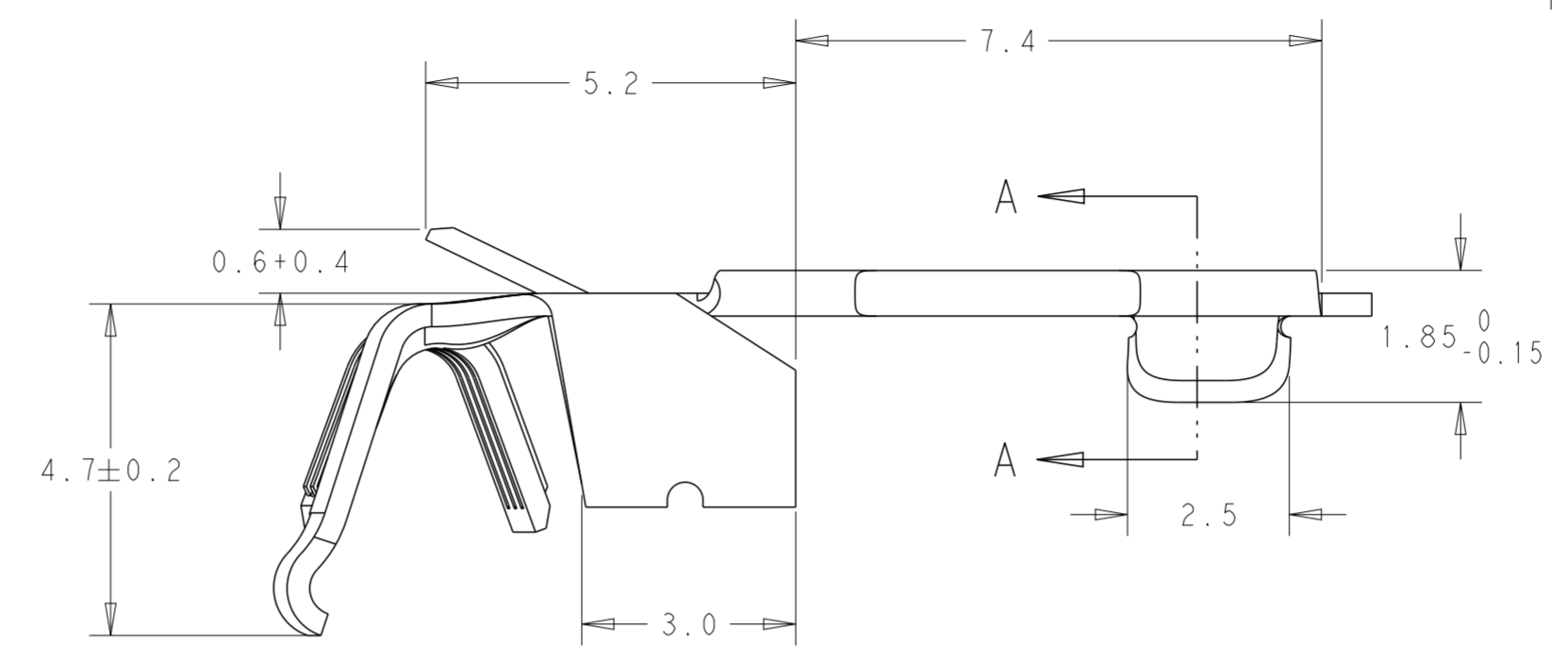
THIS DRAWING IS UNPUBLISHED. RELEASED FOR PUBLICATION 20
 © COPYRIGHT 20 BY - ALL RIGHTS RESERVED.

REVISIONS				
P	LTR	DESCRIPTION	DATE	APVD
C		REVISED PER ECR-16-003937	07APR2016	BW JP

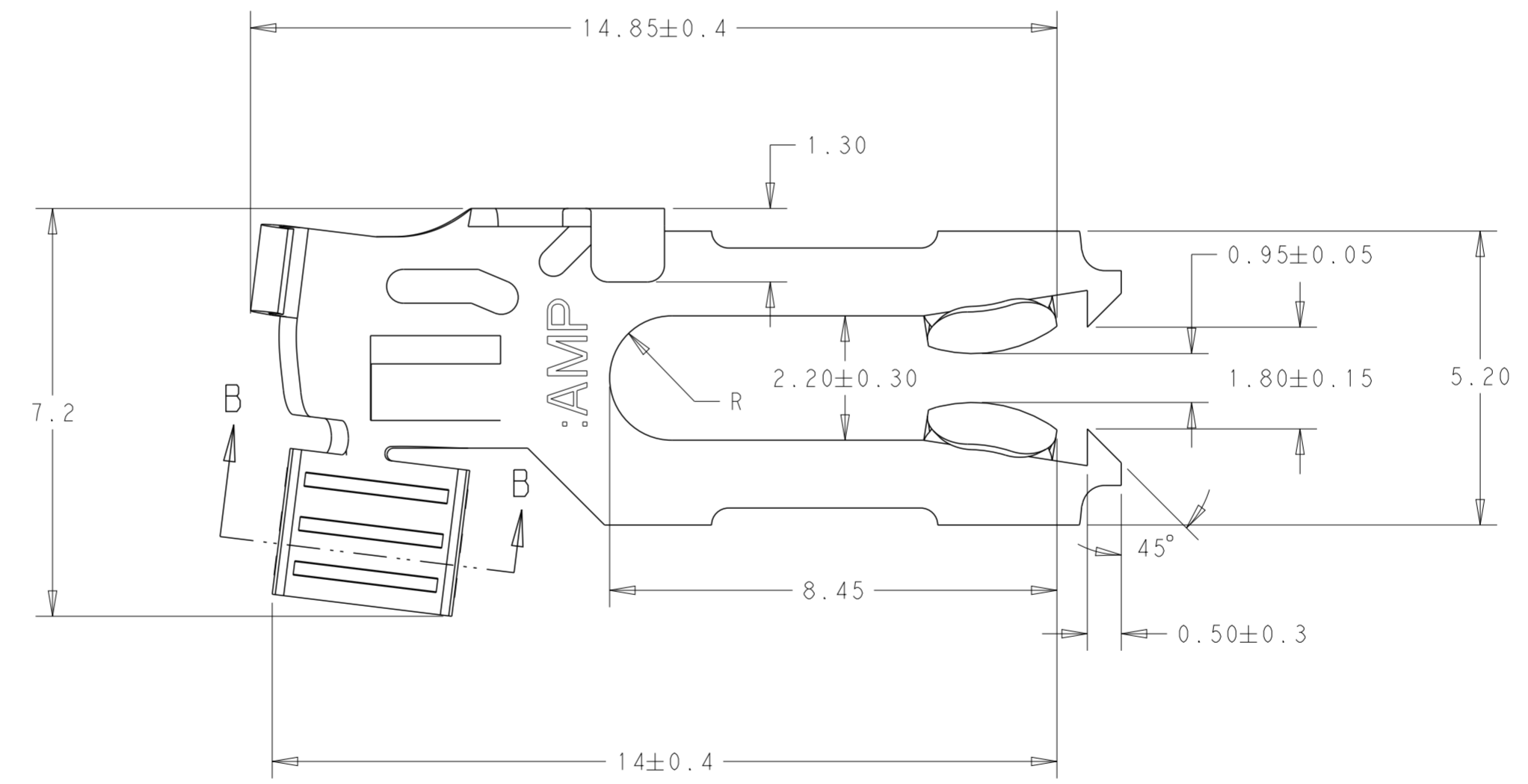
1 TESTED ACCORDING VDE-PM906 VDE 0627/PM 906
 DIN EN 61984 (VDE 0627):2009-11;
 (IEC-COR. :2011 ZU IEC 61984:2008)



SECTION A-A



SECTION B-B



SUITABLE FOR WIRE CROSS SECTION (DGB) 0.5-1.0mm (AWG 20-17)
 AND INSULATION DIA 1.76 TO 2.5mm
 PCB THICKNESS 1.3 TO 1.7mm INCLUDING GALVANIC TIN 2µm
 WIRE BRUSH LENGTH TO BE 0.3mm MAX

TIN	CuSn4 F56	926917-1
PLATING	MATERIAL	PART NO.

THIS DRAWING IS A CONTROLLED DOCUMENT.		DWN	21MAR2016	 TE Connectivity	NAME MT-EDGE-CRIMP-CONTACT 5mm
DIMENSIONS:		CHK	21MAR2016		
TOLERANCES UNLESS OTHERWISE SPECIFIED:		APVD	21MAR2016		
mm		PRODUCT SPEC			
0 PLC ± 1 PLC ± 2 PLC ±0.15 3 PLC ± 4 PLC ± ANGLES ±0.5° FINISH -		APPLICATION SPEC		SIZE	A2
MATERIAL		WEIGHT		CAGE CODE	-
		CUSTOMER DRAWING		DRAWING NO	G-926917
				RESTRICTED TO	
				SCALE	8:1
				SHEET	1 OF 1
				REV	C